

SYSTEM FEATURES



- Protects AC and DC critical dedicated control loads against the harmful effects of lightning strikes and internally generated electrical transients
- Ideal for protecting the OEM & systems integration controls and other micro-processor-based loads
- Includes pre-wired pigtail conductors to streamline installation
- Fail-safe design
- Component Level Fusing (CLF) provides over-current protection
- Small, compact footprint - makes installation flexible
- 10-Year Unlimited Free Replacement Warranty

PRODUCT SPECIFICATIONS

GENERAL SPECIFICATIONS

Maximum Rated Surge Current: 25kA per mode
Application: ANSI/IEEE C62.41 Location C, B & A. Ideal for distribution panels, branch panels and OEM applications
Design: Ultra compact, fail-safe design with component-level fusing
Warranty: 10-Year Unlimited Free Replacement

ELECTRICAL SPECIFICATIONS

Modes of Protection: L-G & L-L
Input Power Frequency: 47-64 Hz
Response Time: < 1 nanosecond
Standard Monitoring: Status indicator lights (one per mode)

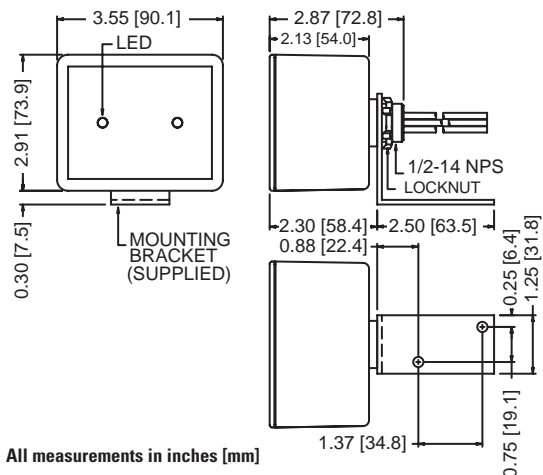
MECHANICAL SPECIFICATIONS

Dimensions: 3.55"H x 2.91"W x 2.13"D
Enclosure: High-impact non-metallic weatherproof
Connection: Pre-wired with 18 inches of #14 AWG conductor
Mounting: Comes with a threaded 1/2" hub for easy knockout mounting or L-shaped bracket for stand-alone wall mounting
Operating Environment: -40° C to 70° C (-40° F to 160° F); 5% to 95% non-condensing humidity
Weight: 1.50 lbs (0.70 kg)

AVAILABLE CONFIGURATIONS

Model Number	System Voltage	System Configuration	Protection Mode	DC MCOV	MLV Data
					Impulse Wave 6kV, 500A 90° Phs Angle
TK-PK025D-24VDC	25 VAC	1-Phase	L-G	32V	90V
	30 VDC	2-wire+ground	L-L	32V	90V
TK-PK025D-48VDC	45 VAC	1-Phase	L-G	65V	130V
	60 VDC	2-wire+ground	L-L	65V	130V
TK-PK025D-90VDC	65 VAC	1-Phase	L-G	100V	180V
	90 VDC	2-wire+ground	L-L	100V	180V
TK-PK025D-125VDC	110 VAC	1-Phase	L-G	170V	290V
	150 VDC	2-wire+ground	L-L	170V	290V

All tests performed with 6" lead length, positive polarity.
 All voltages are peak values (±10%) measured from the zero reference.
 Specifications subject to change without notice, see web site, www.tpscanada.ca for latest revisions.



All measurements in inches [mm]

